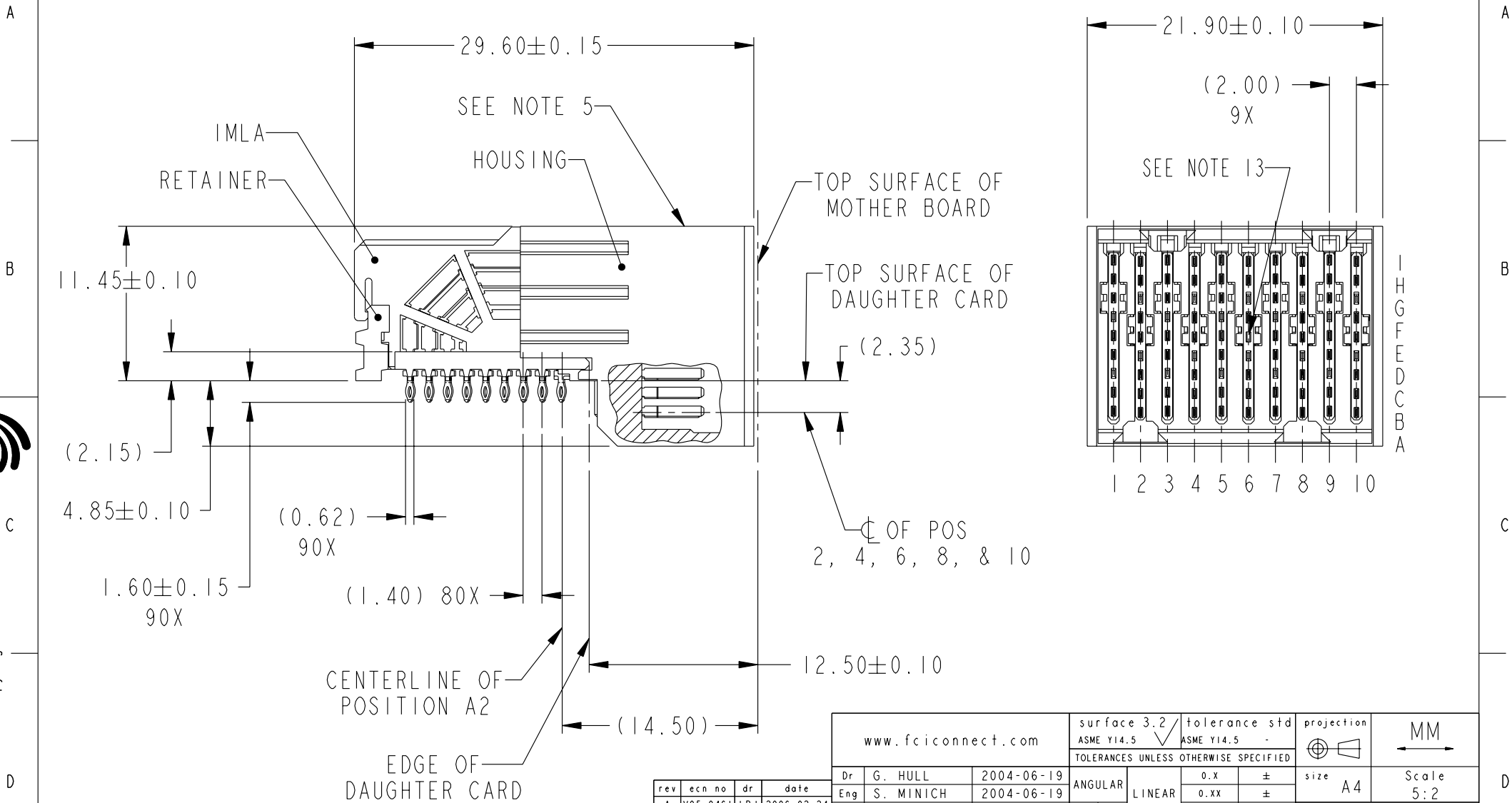


PRODUCT NUMBER
SEE TABLE, SHEET 5



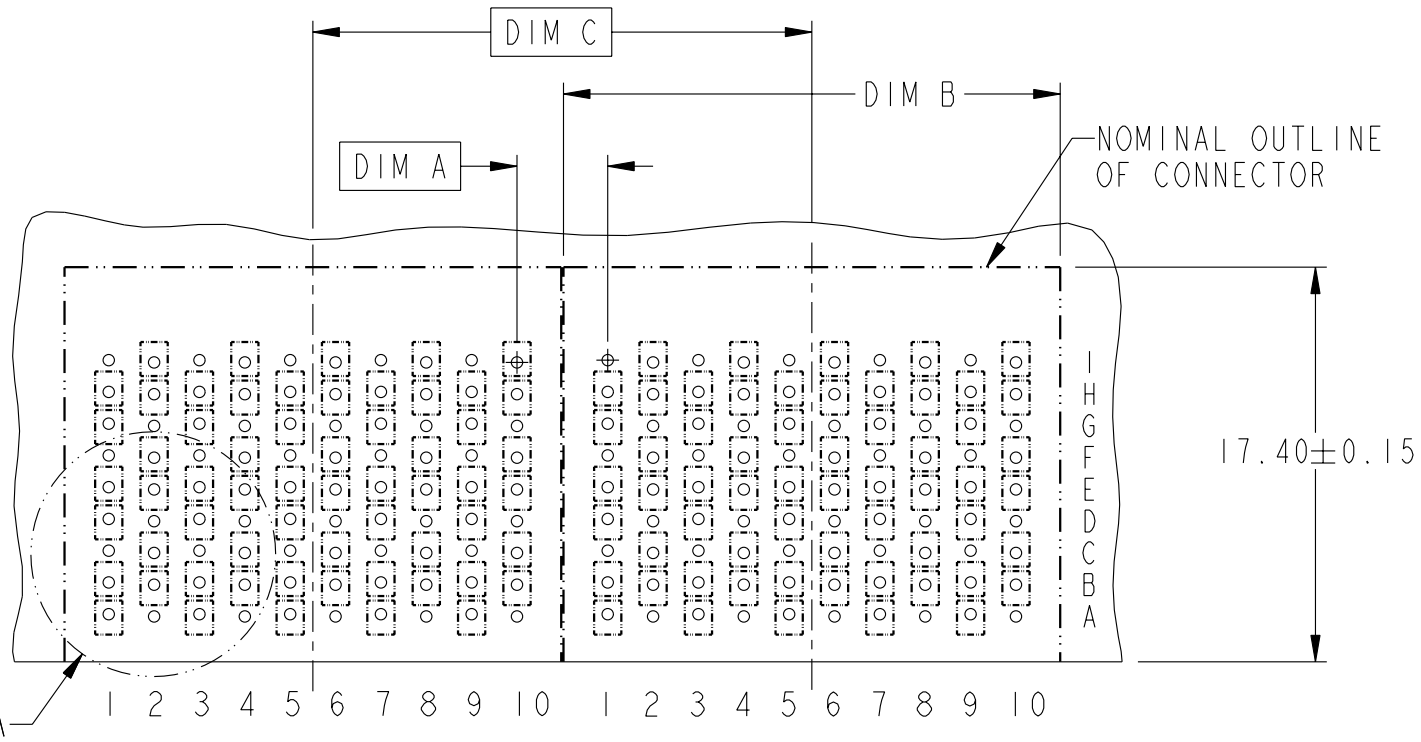
www.fciconnect.com		surface 3.2 ASME Y14.5	tolerance std ASME Y14.5	projection MM
		TOLERANCES UNLESS OTHERWISE SPECIFIED		MM
Dr	G. HULL	2004-06-19	ANGULAR	Scale 5:2
Eng	S. MINICH	2004-06-19	LINEAR	size A4
Chr	C. H. TAN	2006-12-21	0° ±°	ECN ***
Appr	JOEY NG	2006-12-21	Product family AirMax VS Spec ref	
FCI		AirMax VS R/A HEADER ASSY		Rev. D
		PRESS-FIT, 90 POS, 22MM		dwg no 10034249
		catalog no	CUSTOMER	sheet 1 of 5

rev	ecn no	dr	date
A	V05-0461	LRJ	2006-02-24
B	V06-0209	LRJ	2006-03-01
C	V06-0531	SCS	2006-06-06
D	S06-0374	DG	2006-12-21
-	-	-	-
-	-	-	-
-	-	-	-



Copyright FCI.

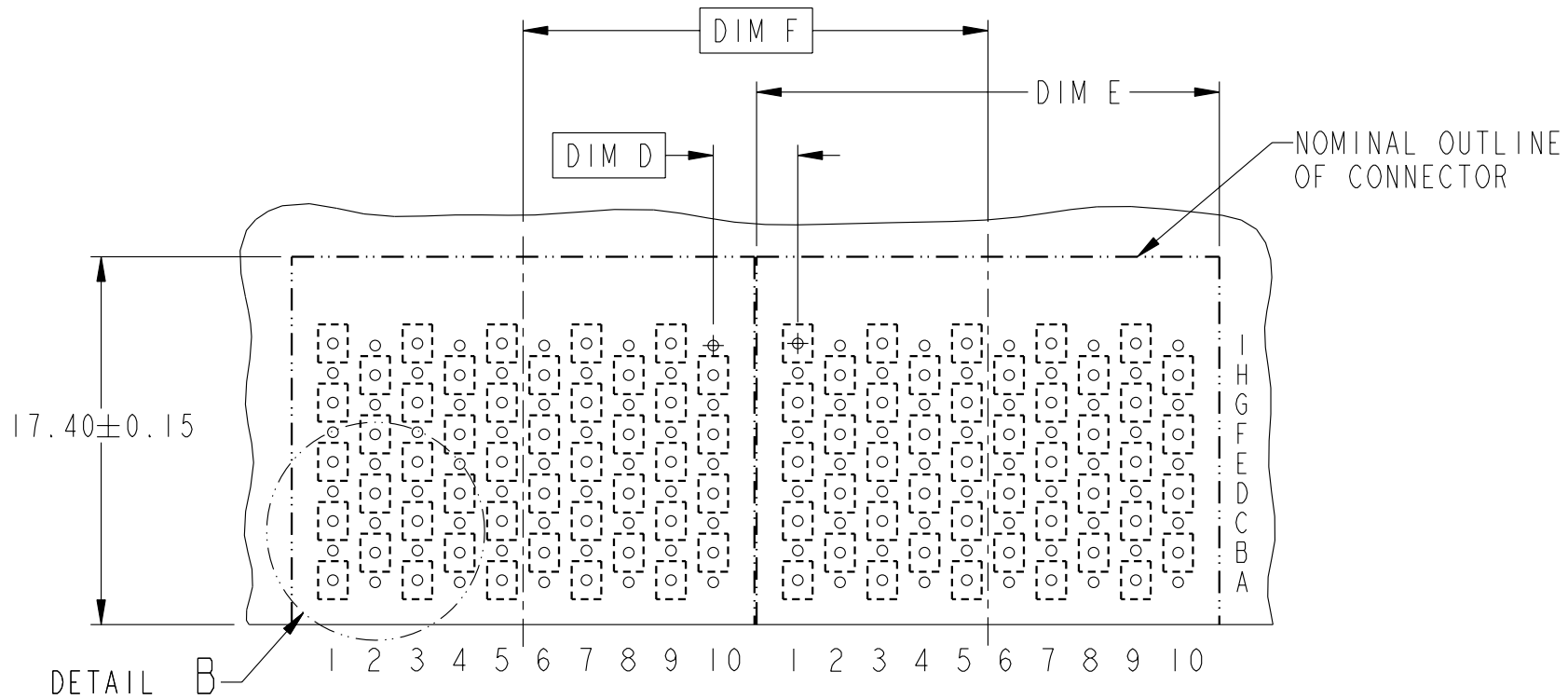
DESCRIPTION	DIM A	DIM B	DIM C
2-22MM MODULES PLACED END-TO-END	4.00	21.90 2X	22.00
1-20MM MODULE & 1-22MM MODULE PLACED END-TO-END	3.00	19.90 1X & 21.90 1X	21.00



RECOMMENDED PCB LAYOUT
FOR DIFFERENTIAL APPLICATIONS
COMPONENT SIDE
(TWO ADJACENT FOOTPRINTS SHOWN)
NOTES 6 & 7

FCI	title	AirMax VS R/A HEADER ASSY	dwg no	10034249	Rev.	D
	catalog no	-	CUSTOMER	sheet 2 of 5		

DESCRIPTION	DIM D	DIM E	DIM F
2-22MM MODULES PLACED END-TO-END	4.00	21.90 2X	22.00
1-20MM MODULE & 1-22MM MODULE PLACED END-TO-END	3.00	19.90 1X & 21.90 1X	21.00



RECOMMENDED PCB LAYOUT
FOR SINGLE ENDED APPLICATIONS
COMPONENT SIDE
(TWO ADJACENT FOOTPRINTS SHOWN)
NOTES 6 & 7

	title AirMax VS R/A HEADER ASSY PRESS-FIT, 90 POS, 22MM	dwg no 10034249	Rev. D
	catalog no -	CUSTOMER	sheet 3 of 5
	STATUS: Released		



1

2

3

4

A

B

C

D

A

B

C

D

SEE NOTE 9

⊕ 0.10

ALL HOLES

GND POSITION
(0.100)

ANTIPAD WIDTH=
2.0-(TRACE+SPACE+TRACE)
TYP

2.00 TYP

3.200
TYP.

2.000
⊕ OF POS
2, 4, 6, 8, & 10

1.40 8X

2.100
⊕ OF POS
1, 3, 5, 7, & 9

DETAIL A
SCALE 4:1

ANTIPAD WIDTH=
2.0-(TRACE+SPACE+TRACE)
TYP

2.00 TYP

SEE NOTE 9
⊕ 0.10
ALL HOLES

GND POSITION
(0.100)

1.40 8X

2.100
⊕ OF POS
1, 3, 5, 7, & 9

DETAIL B
SCALE 4:1

1.800
TYP

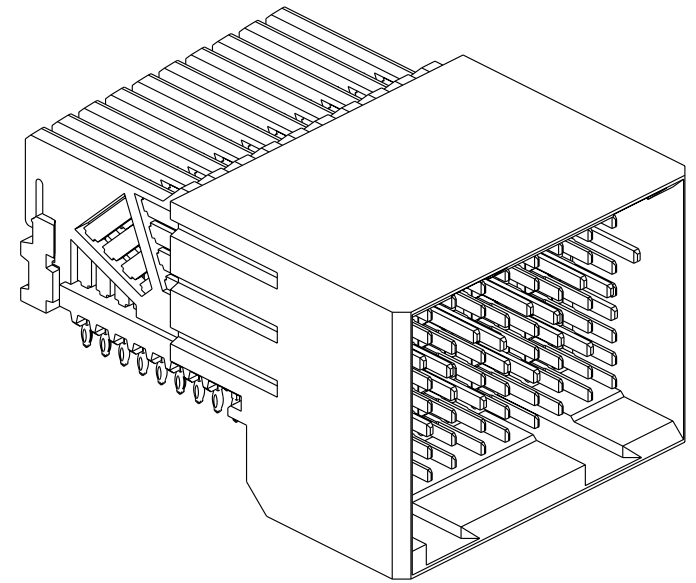
2.000
⊕ OF POS
2, 4, 6, 8, & 10



Copyright FCI.



PART NUMBER	PRESS-FIT TAIL PLATING TYPE	SHORT DETECT CONTACT
10034249-101	TIN/LEAD ALLOY OVER NICKEL	NO
10034249-101LF	TIN OVER NICKEL (LEAD FREE)	
10034249-111	TIN/LEAD ALLOY OVER NICKEL	YES (SEE NOTE 13)
10034249-111LF	TIN OVER NICKEL (LEAD FREE)	



NOTES:

1. CONNECTOR MATERIALS:
HOUSING & RETAINER: HIGH TEMP THERMOPLASTIC, NATURAL, UL94V-0
IMLA PLASTIC: HIGH TEMP THERMOPLASTIC, BLACK, UL94V-0
CONTACT: COPPER ALLOY
2. CONTACT PLATING:
SEPARABLE INTERFACE:
PERFORMANCE-BASED PLATING, QUALIFIED TO MEET THE REQUIREMENTS OF FCI PRODUCT SPECIFICATION GS-12-239 INCLUDING TELCORDIA GR-1217-CORE (NOVEMBER 1995) CENTRAL OFFICE TEST SEQUENCE

PRESS-FIT TAILS: SEE TABLE
3. PRODUCT SPECIFICATION: GS-12-239
4. APPLICATION SPECIFICATION: GS-20-035
5. PRODUCT MARKING, (PART NUMBER & LOT CODE), ON THIS SURFACE
6. REFER TO CUSTOMER DRAWING 10035911 FOR INFORMATION REGARDING PCB LAYOUT OF POWER AND GUIDE MODULES RELATIVE TO SIGNAL MODULES
7. POSITIONS F OF ODD NUMBERED COLUMNS AND POSITIONS G OF EVEN NUMBERED COLUMNS CORRESPOND TO EARLY MATE HEADER PINS
8. THERE IS NO GROUND BUSSING WITHIN THE CONNECTOR SYSTEM
9. REFER TO CUSTOMER DRAWING 10045979 FOR INFORMATION ON PCB HOLE DIAMETERS AND PLATING OPTIONS.
10. LEAD FREE PRODUCT MEETS EUROPEAN UNION DIRECTIVES AND OTHER COUNTRY REGULATIONS AS DESCRIBED IN GS-22-008.
11. THE HOUSING WILL WITHSTAND EXPOSURE TO 260°C PEAK TEMPERATURE FOR 40 SECONDS IN A CONVECTION, INFRA-RED OR VAPOR PHASE REFLOW OVEN.
12. PACKAGING MEETS GS-14-920 LEAD FREE LABELING SPECIFICATION.
13. MATING PIN E6 HAS 0.5mm LESS NOMINAL WIPE THAN THE SHORTEST SIGNAL PIN.



Copyright FCI.

	title AirMax VS R/A HEADER ASSY PRESS-FIT, 90 POS, 22MM	dwg no 10034249	Rev. D
	catalog no -	CUSTOMER	sheet 5 of 5

REV F - 2006-04-17